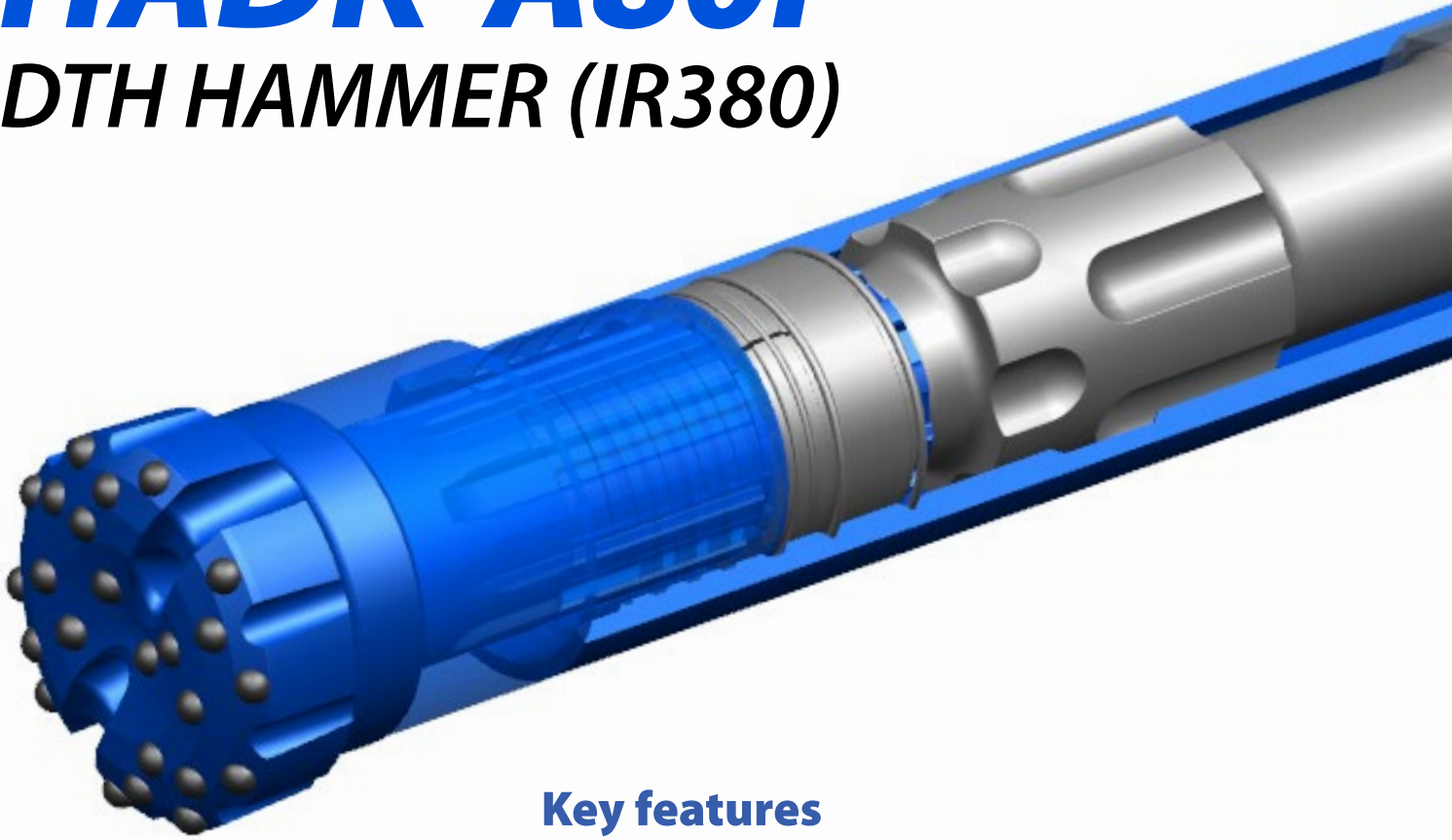


# **HADK-A80I**

## **DTH HAMMER (IR380)**



### **Key features**

- Innovative & simple design for easy eco kit maintenance
- High frequency design for fastest penetration rates
- Available for common bits shanks IR/QL/SD
- Customizable options for open hole or cased hole projects
- Premium alloys & treatment used for longer lasting tools

## Parts List (IR380)

NO	Part Name	Qty	Part Number	
1	Top Sub	1	HPDK-A8002	
2	Top Sub O-Ring	1	HPDK-A8003	
3	Check Valve	1	HPDK-A8007	
4	C.V. Spring	1	HPDK-A8009	
5	Press Ring	1	HPDK-A8023	
6	Make Up Ring	1	HPDK-A8006	
7	Choke Set	1	HPDK-A8008	
8	Air Distributor	1	HPDK-A8010	
9	Air Dis. O-Ring	1	HPDK-A8011	
10	Cylinder	1	HPDK-A8012	
11	Piston	1	HPDK-A8014	
12	Wear Sleeve	1	HPDK-A8001	
13	Snap Ring	2	HPDK-A8021	
14	Bit Bearing	1	HPDK-A8020	
15	Bit Ret. Ring	1	HPDK-A8018	
16	Bit Ret. Ring O-Ring	1	HPDK-A8019	
17	Drive Sub	1	HPDK-A8022	
			Complete Hammer	HADK-A801

### Dimensions & Weights

Top Sub	4.5" API REG PIN
OAL (in / mm)	55.9 / 1420
OD Range (in / mm)	7.16 / 182
Weight w/o bit (lbs / Kg)	405 / 184
Piston Weight (lbs / Kg)	84 / 38.1

### Drilling Parameters

Working Pressure (PSI / Bar)	50-350 / 10.3-24.1
Application Bit (in / mm)	7.87-10.63 / 200-270
Feed Force (FT-lbs / M-Kg)	2000-5000 / 277-691
Rotation Speed	10-30 RPM
Rotation Torque (FT-lbs / M-Kg)	4600 / 636
Frequency (blows / min)	1425

### Air Consumption

PSI	BAR	CFM	CuMtr/Min
150	10.3	620	17.6
250	17.2	1025	29
350	24.1	1580	44.7

## Exploded view

