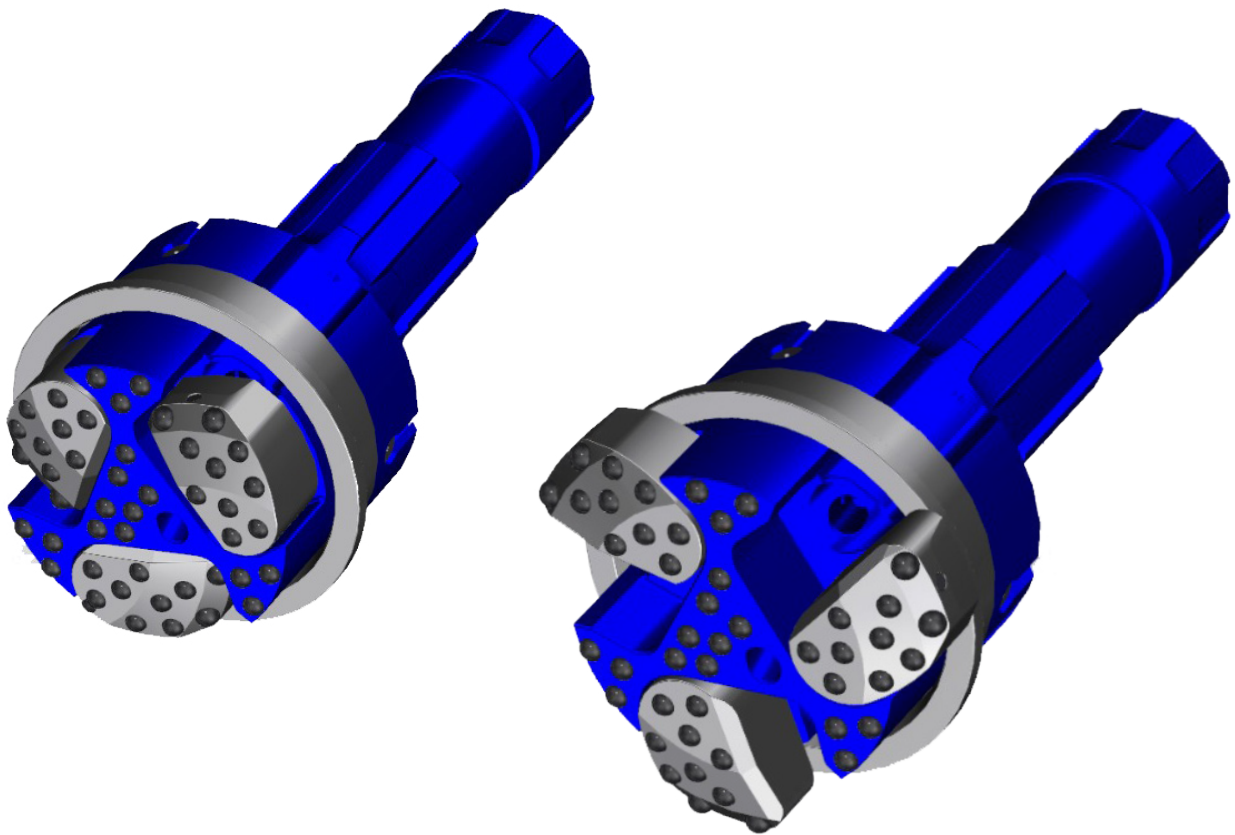


WING KING SYSTEM



The Drill King WING KING casing system is a wing type overburden drilling system suitable for:

- **WATER WELLS**
- **ENERGY WELLS**
- **FOUNDATION CONSTRUCTION**
- **SITE INVESTIGATION**

Key features

- Simple 2 & 3 wing drilling systems for casing sizes 5.5" (140mm) to 24" (610mm)
- Low cost per drilled foot
- To suit industry standard casing pipes (and thicker wall)
- Full face drilling for faster penetration
- Easy opening and closing wing mechanism

Parts List

System	Standard Shank	Wings	Reaming Dia.		Casing Size		Hammer Size
			Inch	mm	Inch	mm	
WK115	340	2	5.98	152	5.56 x 4.98	141.3 x 126.6	
WK140	350 / QL50	2	7.28	185	6.50 x 6.03	165.2 x 153.2	5"
WK165	360 / QL60	2	8.46	215	7.63 x 7.20	193.7 x 183.0	6"
WK190	360 / QL60	3	9.41	237	8.63 x 8.06	219.1 x 204.7	8"
WK215	380 / QL80	3	10.71	272	10.0 x 9.49	254.0 x 241.0	8"
WK240	380 / QL80	3	11.42	290	10.8 x 10.0	273.1 x 254.5	10"
WK280	SD10 / N100	3	13.39	340	12.8 x 11.9	323.9 x 301.7	12"
WK315	SD10 / N100	3	14.69	373	14.0 x 13.3	355.6 x 337.0	12"
WK365	N125 / QL120	3	16.73	425	16.0 x 15.3	406.4 x 387.4	12 / 15"
WK460	N180 / QL200 / SD18	3	20.87	530	20.0 x 19.0	508.0 x 482.6	18"
WK560	N180 / QL200 / SD18	3	24.8	630	24.0 x 23.0	609.6 x 584.2	

Exploded view

