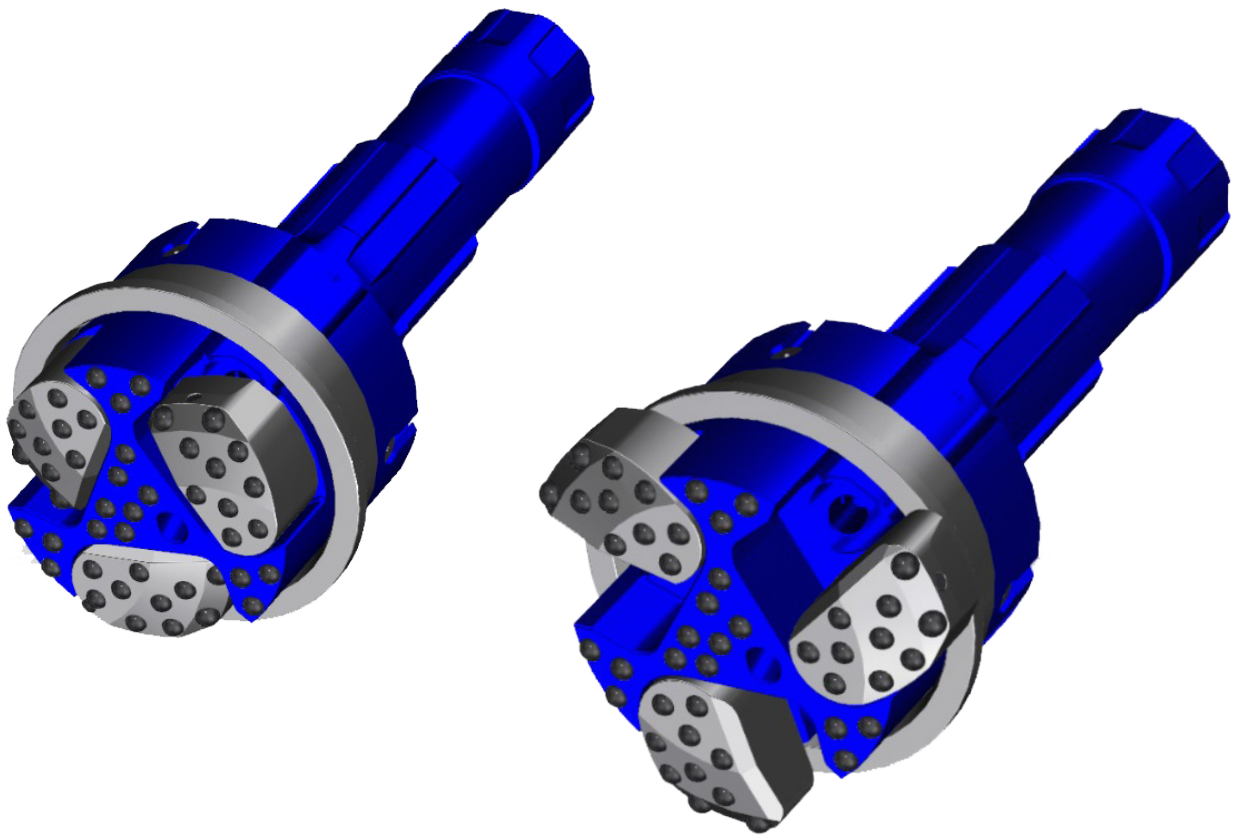


WING KING SYSTEM



The Drill King WING KING casing system is a wing type overburden drilling system suitable for:

- **WATER WELLS**
- **ENERGY WELLS**
- **FOUNDATION CONSTRUCTION**
- **SITE INVESTIGATION**

Key features

- Simple 2 & 3 wing drilling systems for casing sizes 5.5" (140mm) to 24" (610mm)
- Low cost per drilled foot
- To suit industry standard casing pipes (and thicker wall)
- Full face drilling for faster penetration
- Easy opening and closing wing mechanism

Parts List

System	Standard Shank	Wings	Reaming Dia.		Casing Size		Hammer Size
			Inch	mm	Inch	mm	
140	IR360 / QL50 / SD5	2	7.28	185	6.5 x 6.02	165 x 153	5"
187	IR360 / QL60 / SD6	2	9.35	186	8.5 x 8	216 x 202	6"
215	IR380 / QL80 / SD8	3	10.71	217	10.4 x 9.5	254 x 241	8"
240	IR380 / QL80 / SD8	3	11.42	232	10.75 x 10	273 x 254	8"
280	SD10 / N100	3	13.39	340	12.5 x 12	318 x 307	10"
315	SD12 / IR112	3	14.69	314	14 x 13.23	355 x 336	12"
365	SD12 / IR112	3	16.73	425	16 x 15.24	406 x 387	12"
460	N125 / SD15	3	20.87	530	20 x 19	508 x 482	12 / 15"
560	N180 / SD18	3	24.80	630	24 x 22	609 x 584	18"

Exploded view

